





ALUMINIUM
IRON
CAST
400 BAR

FIVE
SEVEN
PISTONS
LEFT/RIGHT

DIN
ISO
SAE
RPM

SINGLE
DUAL
FLOW

SPLINE
SHAFT
OPTIONS
Nm

Bent Axis Piston Pump
Аксиально Поршневой
Насос с наклонным блоком



STARTING
TORQUE
THEORETICAL
VALUE
NM/BAR

IRON
CAST
350 BAR

DIN
ISO
SAE
M2

SPLINE
DIN 5480
KEY DIN
6885

SHAFT
COVER
FLANGE
S1,V1,K3

Bent Axis Piston Motor
Аксиально-Поршневой
Гидромотор
с наклонным блоком



NITRATION
BODY
CAST IRON
3G-40

ISO
UNI
350BAR
270BAR

SINGLE
FLOW
BI-DIRECTIONAL

INLET
OUTLET
R1"1/2
R3/4"

Piston Pump
High Pressure Piston Pump
Поршневой Насос
Поршневой Насос Высокого
Давления





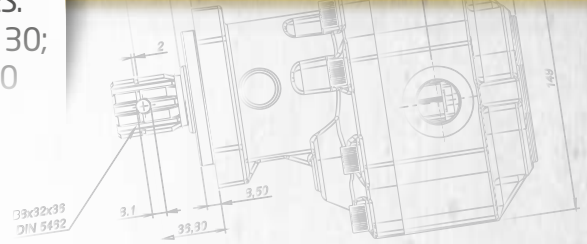
SPLINE
ASAE
13 TEETH
15 TEETH

ISO
UNI
SAE

LEFT
RIGHT
BI-DIRECTIONAL

SERIES:
20; 25; 30;
35; 40

**Gear Pump
Шестеренный Насос**



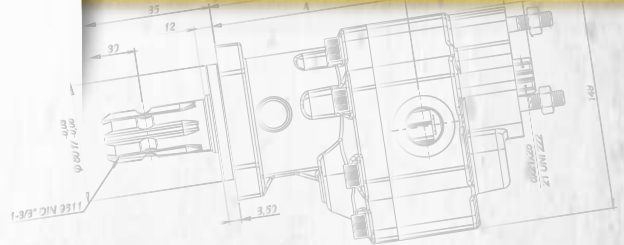
SPLINE
ASAE
13 TEETH
15 TEETH

ISO
UNI
SAE

LEFT
RIGHT

SERIES:
30; 40

**Gear Pump TANDEM
Шестеренный Насос
ТАНДЕМ**



SPLINE
ASAE
13 TEETH
15 TEETH

ISO
UNI
SAE

LEFT
RIGHT

K TYPE
ADAPTER
TANDEM
SINGLE

**Gear Pump K type ADAPTER
Шестеренный Насос
тип К, с АДАПТЕРОМ**





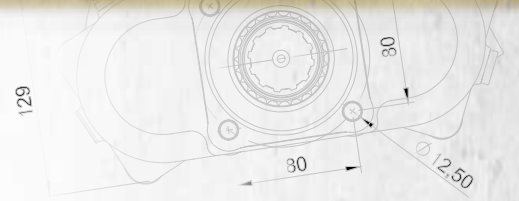
9S75; 9S109; 16S151
5S24; 5S110; 5S200

6S300; 6S380; 6S420; 6S425
6S500; 6S850; S6 36; 6S800

IRON CAST
ALUMINIUM
BODY

SINGLE GEAR
DOUBLE GEAR
BENT

PTO-KOM
ZF



ATEGO
ACTROS
AXOR
GR801
GR875
GR900

2828,5
2835,6
2845,6
SR1400
R52
R62

IRON CAST
ALUMINIUM
BODY

MERCEDES
SCANIA
VOLVO
IVECO
RENAULT

PTO
European Vehicles
KOM
Европейские Автомобили



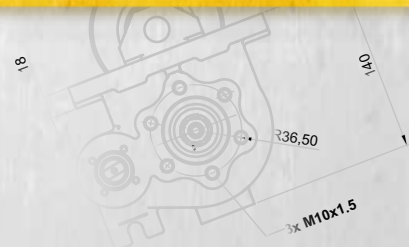
M025S5
M036S6
M050S6
MSB5S
MXA5R
MLD6A

33111
LJ06S
LX06S
HD78
HD120

IRON CAST
ALUMINIUM
BODY

mitsubishi
ISUZU
HINO
HYUNDAI

PTO
Asian Vehicles
KOM
Азиатские Автомобили



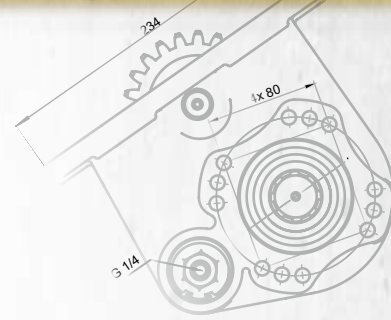


IRON CAST
ALUMINIUM
BODY

HEMA 475SML; 570
FS 4106-5206
FS 6109-8209
RT 11609
RTSO 17316

FORD
MAN
IVECO
RENAULT

PTO-KOM
Eaton, Fuller

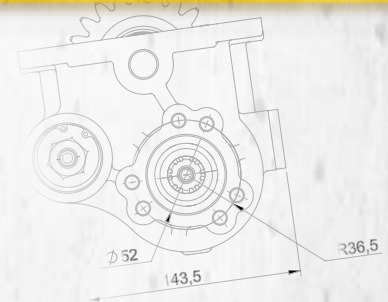


IRON CAST
ALUMINIUM
BODY

1260; 4911; 5360
62225; 62226; 6322
5410; 52212; 55102

KAMAZ

PTO
KAMAZ
KOM
KAMA3

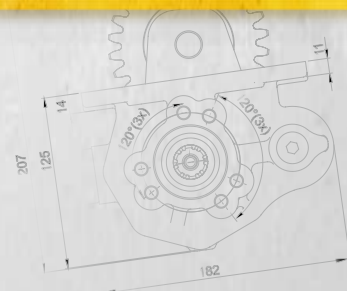


IRON CAST
ALUMINIUM
BODY

1019; 650133,
54.326; 64.226
1848; 3048; 543268
544069; 630168

MAZ

PTO
MAZ
KOM
MA3



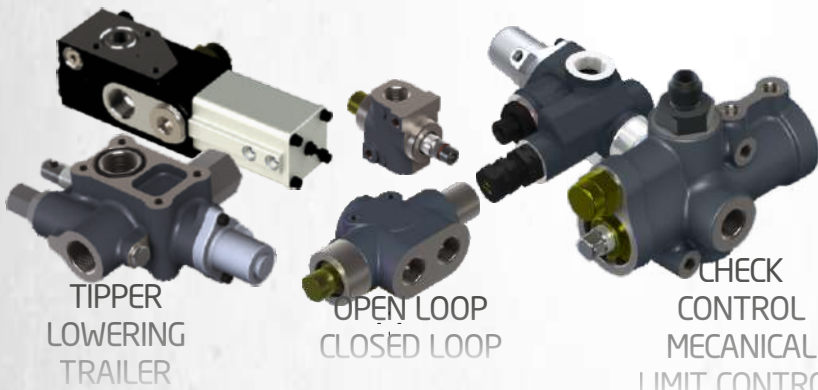
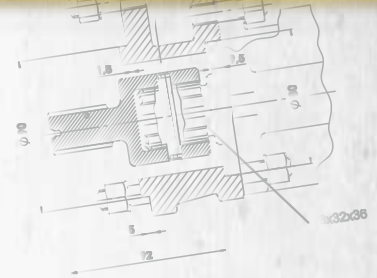


IRON CAST
BODY
STEEL

ZF9S75
ZF9S109
UNIMOG
GRS 905

4X3; 3X2
ASTRONIC
RETARDER

Cardan Shaft, Adapter
Flange, Coupling, Plates
BOM, Переходник, Фланец,
Муфта, Плиты

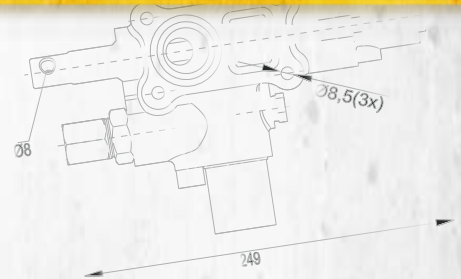


TIPPER
LOWERING
TRAILER

OPEN LOOP
CLOSED LOOP

CHECK
CONTROL
MECANICAL
LIMIT CONTROL

Valve
Гидрораспределитель



CAST IRON BODY
CHROMIUM SPOOLS

50LPM; 80LPM;
90LPM; 100LPM;
130LPM; 150 LPM

DIRECTIONAL CONTROL
350BAR

Sectional & Monoblock Valves
Секционные и Моноблочные
Гидрораспределители



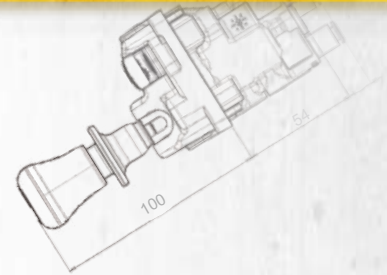


Pneumatic Control
Пневматическое Управление

PLASTIC BODY
METAL BODY

JOYSTICK; SWITCH;
AIR VALVE; SELENOID

PEDAL; PULL;
LEVER

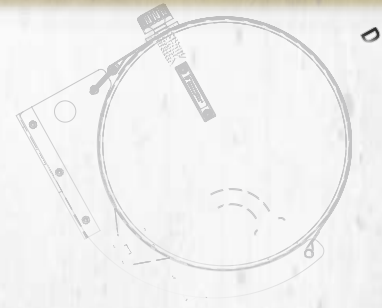


Oil Tanks
Масляные Баки

ALUMINIUM
STEEL

SIDE MOUNT
REAR CUB
CHASSIS MOUNT

SIDE PLATE
SPHERICAL
40-300L

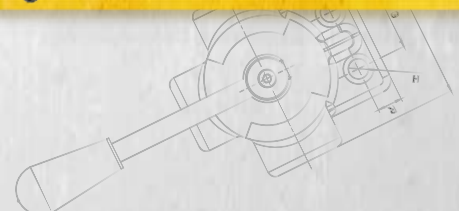


Spare Parts
Запасные Части

BY PASS VALVE
K JET 2
BURST VALVE

SUCTION
PRESSURE
AIR
FITTINGS
HOSES

CABLE CONTROL
BALL VALVE
HOSE CLIP
3 WAY VANE



VALVE
ADAPTER
POWER TAKE OFF
HYDRAULIC SYSTEMS
High Pressure
PISTON
PUMP
GEAR
PLATE
Cylinder
Telescopic
SPARE PARTS
Coupling
PNEUMATIC CONTROL
BENT AXIS PUMP
MOTOR
OIL
FUEL
AIR
TANK
FLANGE
www.werahydraulic.com